



FREE FLOAT[®] STEAM TRAP

MODEL **SJ3V-X**
DUCTILE CAST IRON

FREE FLOAT STEAM TRAP WITH THERMOSTATIC AIR VENTING

Features

Reliable and durable steam trap with tight shut-off for use on small to medium process equipment. Model for vertical piping installation.

1. Self-modulating free float provides continuous, smooth, low-velocity condensate discharge as process loads vary.
2. Precision-ground float, constant water seal and three-point seating design ensure a steam-tight seal, even under no-load conditions.
3. Thermostatic capsule (X-element) with "fail open" feature vents air automatically until close to-steam temperature.
4. Built-in screen with large surface area ensures extended trouble-free operation.
5. Easy, inline access to internal parts simplifies cleaning and reduces maintenance costs.



Specifications

Model	SJ3V-X
Installation	Vertical
Connection	Screwed
Size	½", ¾", 1"
Orifice No.	2, 5, 9, 14, 22
Maximum Operating Pressure (barg) P _{MO}	2, 5, 9, 14, 22
Maximum Differential Pressure (bar) ΔP _{MX}	2, 5, 9, 14, 22
Maximum Operating Temperature (°C) T _{MO}	220
Subcooling of X-element Fill (°C)	up to 6
Type of X-element	B

PRESSURE SHELL DESIGN CONDITIONS (NOT OPERATING CONDITIONS): Maximum Allowable Pressure (barg) P_{MA}: 22 1 bar = 0.1 MPa
Maximum Allowable Temperature (°C) T_{MA}: 220

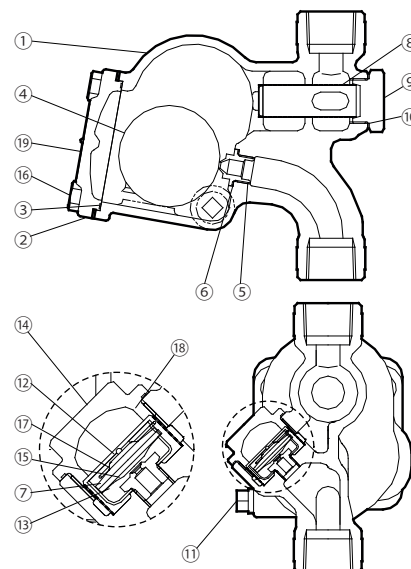


To avoid abnormal operation, accidents or serious injury, DO NOT use this product outside of the specification range. Local regulations may restrict the use of this product to below the conditions quoted.

No.	Description	Material	DIN*	ASTM/AISI*
①	Body	Ductile Cast Iron EN-GJS-400-18-LT	0.7043	A395
②	Cover	Ductile Cast Iron EN-GJS-400-18-LT	0.7043	A395
③ ^{MR}	Cover Gasket	Fluorine Resin PTFE	PTFE	PTFE
④ ^F	Float	Stainless Steel SUS316L	1.4404	AISI316L
⑤ ^R	Orifice	—	—	—
⑥ ^{MR}	Orifice Gasket	Fluorine Resin PTFE	PTFE	PTFE
⑦ ^R	Air Vent Screen	Stainless Steel SUS304	1.4301	AISI304
⑧ ^R	Main Screen	Stainless Steel SUS430	1.4016	AISI430
⑨	Screen Holder	Cast Stainless Steel SCS2A	1.4027	A743 Gr.CA40
⑩ ^{MR}	Screen Holder Gasket	Soft Iron SUYP	1.1121	AISI1010
⑪	Drain Plug	Carbon Steel SS400	1.0037	A6
⑫ ^R	X-element	Stainless Steel	—	—
⑬ ^R	X-element Guide	Stainless Steel SUS304	1.4301	AISI304
⑭	X-element Cover	Cast Stainless Steel A351 Gr.CF8	1.4312	—
⑮ ^R	Air Vent Valve Seat	Stainless Steel SUS420F	1.4028	AISI420F
⑯	Cover Bolt	Carbon Steel S45C	1.0503	AISI1045
⑰ ^R	Spring Clip	Stainless Steel SUS304	1.4301	AISI304
⑱ ^{MR}	X-element Cover Gasket	Fluorine Resin PTFE	PTFE	PTFE
⑲	Nameplate	Stainless Steel SUS304	1.4301	AISI304

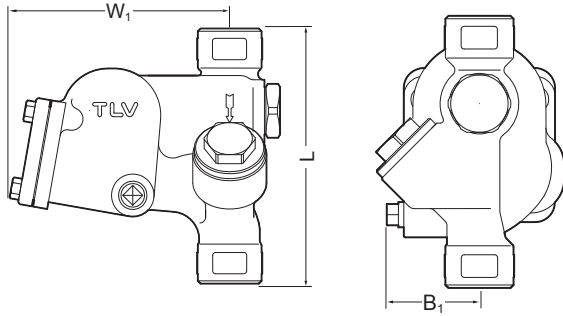
* Equivalent materials

Replacement kits available: (M) maintenance parts, (R) repair parts, (F) float



Dimensions

- **SJ3V-X** Screwed

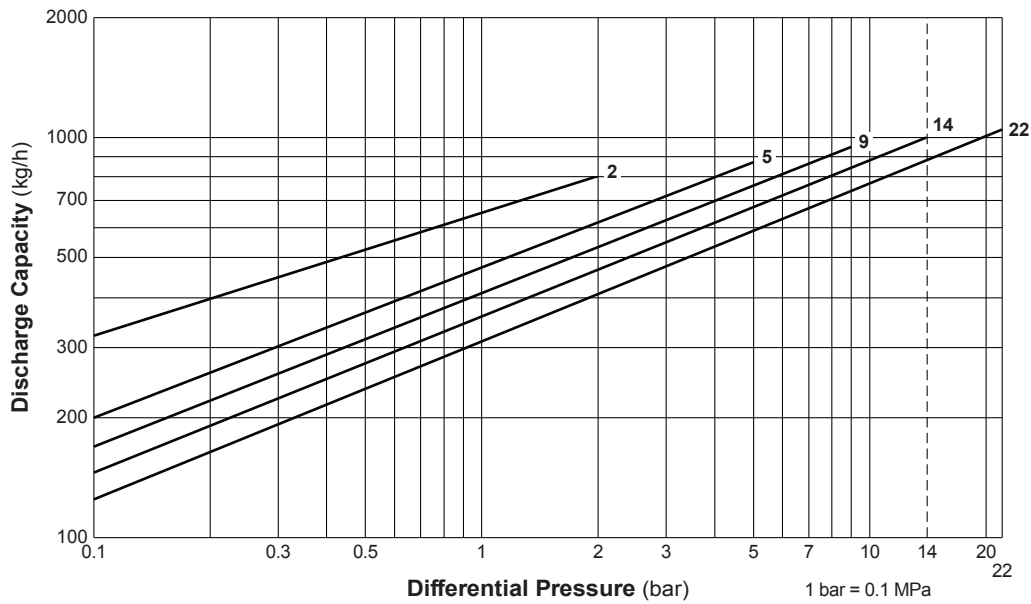


- SJ3V-X** Screwed (mm)

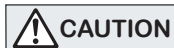
Size	L	W ₁	B ₁	Weight (kg)
1/2"	180	155	70	4.0
3/4"				
1"				

*BSP DIN 2999; other standards available

Discharge Capacity



1. Line numbers within the graph are orifice numbers.
2. Differential pressure is the difference between the inlet and outlet pressure of the trap.
3. Capacities are based on continuous discharge of condensate 6 °C below saturated steam temperature.
4. Recommended safety factor: at least 1.5.



DO NOT use this product under conditions that exceed maximum differential pressure, as condensate backup will occur!

Manufacturer

TLV® CO., LTD.

Kakogawa, Japan

is approved by LQA Ltd. to ISO 9001/14001

ISO 9001/ISO 14001

