



FREE FLOAT STEAM TRAP

MODEL SJH5 CAST STEEL

FREE FLOAT STEAM TRAP WITH THERMOSTATIC AIR VENTING

Features

Inline repairable multi-purpose steam trap with tight shut-off for use with heat exchangers, tank heaters, dryers and process equipment.

1. Self-modulating free float provides continuous smooth, low velocity condensate discharge as process loads vary.
2. Constant water seal and unique three-point seating ensure perfect steam-tight seal, even under no-load conditions.
3. Automatic bimetal air vent for rapid start-up.
4. Precision-ground float with sphericity of 0.004 guarantees superior sealing.
5. Built-in screen with large surface area ensure trouble free operation.
6. Rugged construction withstands superheat and water hammer.



Specifications

Model	SJH5N		SJH5V
Installation	Horizontal		Vertical
Connection	Flanged PN 63		Flanged PN 40
Size	DN 25		DN 20, 25
Orifice No.	32, 46		5, 10, 14, 22, 32
Maximum Operating Pressure (barg) PMO	32, 46		5, 10, 14, 22, 32
Maximum Differential Pressure (bar) ΔPMX	32, 46		5, 10, 14, 22, 32
Maximum Operating Temperature (°C) TMO	400		400

PRESSURE SHELL DESIGN CONDITIONS (NOT OPERATING CONDITIONS):
 Maximum Allowable Pressure (barg) PMA: 40 (65 for PN63 flange connection)
 Maximum Allowable Temperature (°C) TMA: 400

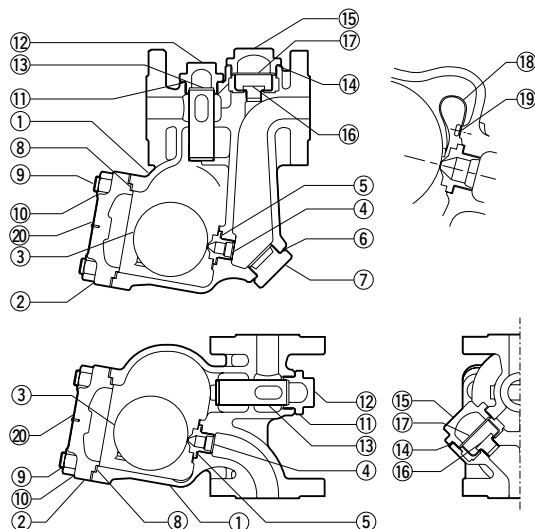
1 bar = 0.1 MPa



To avoid abnormal operation, accidents or serious injury, DO NOT use this product outside of the specification range. Local regulations may restrict the use of this product to below the conditions quoted.

No.	Description	Material*	DIN	ASTM/AISI
①	Body (PN 40 Flange)	Cast Steel GS-C25	1.0619	A216 Gr. WCB
	Body (PN 63 Flange)	Cast Steel GS-17CrMo55	1.7357	A217 Gr. WC6
②	Cover (PN 40 Flange)	Cast Steel GS-C25	1.0619	A216 Gr. WCB
	Cover (PN 63 Flange)	Cast Steel GS-17CrMo55	1.7357	A217 Gr. WC6
③	Float	Stainless Steel SUS316L	1.4404	AISI316L
④	Orifice	Stainless Steel SUS420F	1.4028	AISI420F
⑤	Orifice Gasket	Stainless Steel/Graphite SUS316L	1.4404	AISI316L
⑥	Orifice Plug Gasket (SJH5N)	Soft Iron SUYP	1.1121	AISI1010
⑦	Orifice Plug (SJH5N)	Cast Stainless Steel SCS2A	1.4027	A217 Gr. CA15
⑧	Cover Gasket	Stainless Steel/Graphite SUS316L	1.4404	AISI316L
⑨	Cover Bolt	Alloy Steel SBN7	1.7225	A193 Gr. B7
⑩	Cover Nut	Carbon Steel S45C	1.0503	AISI1045
⑪	Screen Holder Gasket	Soft Iron SUYP	1.1121	AISI1010
⑫	Screen Holder	Cast Stainless Steel SCS13A	1.4312	A351 Gr. CF8
⑬	Screen	Stainless Steel SUS430	1.4016	AISI430
⑭	Plug Cover Gasket	Soft Iron SUYP	1.1121	AISI1010
⑮	Plug Cover	Cast Stainless Steel A351 Gr. CF8	1.4312	A351 Gr. CF8
⑯	Plug	Stainless Steel SUS420F	1.4028	AISI420F
⑰	Guide	Stainless Steel SUS304	1.4301	AISI304
⑱	Air Vent Strip	Bimetal	—	—
⑲	Screw with Washer	Stainless Steel SUS304	1.4301	AISI304
⑳	Nameplate	Stainless Steel SUS304	1.4301	AISI304

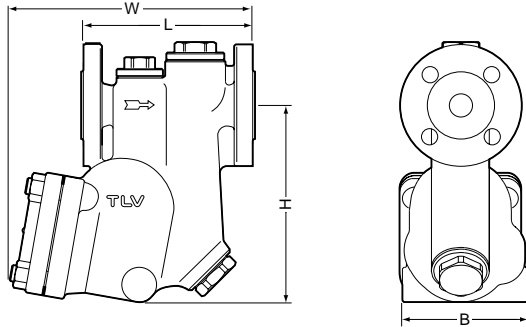
* Equivalent Material



Copyright © TLV

Dimensions

● **SJH5N** Flanged

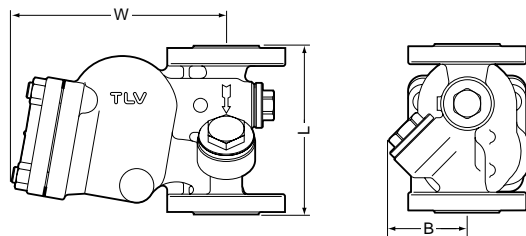


SJH5N Flanged* (mm)

DN	L	W	H	B	Weight (kg)
20	250	212	188	108	8.7
25	160 (175)	219 (228)			10 (11)

* DIN 2501 PN 25/40, () PN 63

● **SJH5V** Flanged

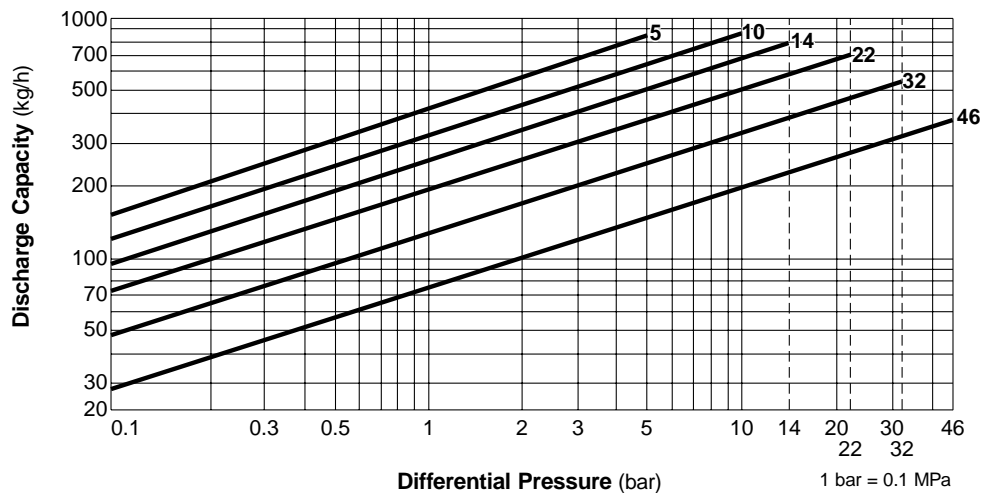


SJH5V Flanged* (mm)

DN	L	W	B	Weight (kg)
20	150	191	70	7.5
25	160			9.2

* DIN 2501 PN 25/40

Discharge Capacity



1. Line numbers within the graph refer to orifice numbers.
2. Differential pressure is the difference between the inlet and outlet pressure of the trap.
3. Capacities are based on continuous discharge of condensate 6 °C below saturated steam temperature.
4. Recommended safety factor: at least 1.5.



CAUTION DO NOT use traps under conditions that exceed maximum differential pressure, as condensate backup will occur!

Manufacturer

ISO 9001/ISO 14001

TLV® CO., LTD.
Kakogawa, Japan

is approved by LRQA Ltd. to ISO 9001/14001

