



FREE FLOAT.[®] STEAM TRAP

MODEL JH7.5R-X/JH7.5R-B CAST STEEL

FREE FLOAT STEAM TRAP WITH THERMOSTATIC AIR VENTING

Features

A reliable and durable cast steel* steam trap for use on large-size process equipment. JH7.5R-B is also suitable for high-pressure process equipment.

1. Self-modulating free float provides continuous, smooth, low-velocity condensate discharge as process loads vary.
2. Constant water seal design ensures a steam-tight seal, even under low-load conditions.
3. **JH7.5R-X**: Thermostatic capsule (X-element) with "fail open" feature vents air automatically at close-to-steam temperature.
4. **JH7.5R-B**: Thermostatic bimetal air vent valve vents air automatically for rapid startup.
5. Built-in screen with large surface area ensures extended trouble-free operation.
6. Easy, inline access to internal parts simplifies cleaning and reduces maintenance costs.

* Stainless Steel body available on request



Specifications

Model	JH7.5R-X		JH7.5R-B	
	Socket Welded	Flanged	Socket Welded	Flanged
Connection	Socket Welded	Flanged	Socket Welded	Flanged
Size	DN 40, 50, 80		DN 40, 50, 80	
Orifice No.	2, 5, 10, 14, 22, 32		2, 5, 10, 14, 22, 32, 40, 46	
Maximum Operating Pressure (barg) PMO	2, 5, 10, 14, 22, 32		2, 5, 10, 14, 22, 32, 40, 46	
Maximum Differential Pressure (bar) ΔPMX	2, 5, 10, 14, 22, 32		2, 5, 10, 14, 22, 32, 40, 46	
Maximum Operating Temperature (°C) TMO	240		400*/425	
Type of Air Vent	X-element (6 °C subcooling)		Bimetal (vents air up to approx. 100 °C)	

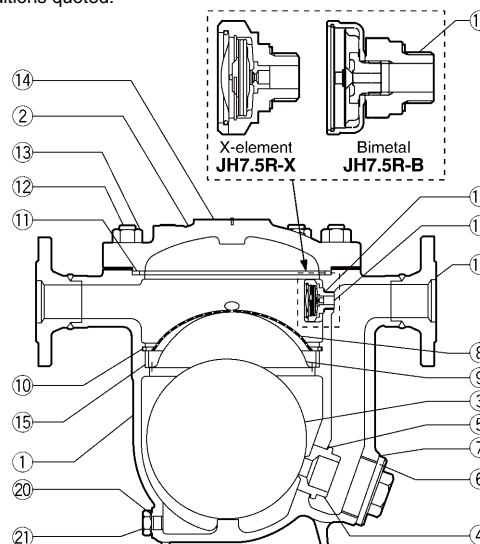
PRESSURE SHELL DESIGN CONDITIONS (NOT OPERATING CONDITIONS): Maximum Allowable Pressure (barg) PMA: 46 1 bar = 0.1 MPa
Maximum Allowable Temperature (°C) TMA: 400*/425

* With PN flange



To avoid abnormal operation, accidents or serious injury, DO NOT use this product outside of the specification range. Local regulations may restrict the use of this product to below the conditions quoted.

No.	Description	Material	DIN*	ASTM/AISI*
①	Body	Cast Steel A216 Gr.WCB	1.0619	—
②	Cover	Carbon Steel A105	1.0460	—
③ ^F	Float	Stainless Steel SUS316L	1.4404	AISI316L
④ ^R	Orifice	—	—	—
⑤ ^{MR}	Orifice Gasket	Soft Iron SUYP	1.1121	AISI1010
⑥	Orifice Plug	Cast Stainless Steel A351 Gr.CF8	1.4312	—
⑦ ^{MR}	Orifice Plug Gasket	Soft Iron SUYP	1.1121	AISI1010
⑧ ^R	Screen	Stainless Steel SUS430	1.4016	AISI430
⑨	Screen Holder	Stainless Steel SUS304	1.4301	AISI304
⑩	Snap Ring	Stainless Steel SUS304	1.4301	AISI304
⑪ ^{MR}	Cover Gasket	Graphite/Stainless Steel SUS304	-/1.4301	-/AISI304
⑫	Cover Bolt	Alloy Steel SNB16	1.7711	A193 Gr.B16
⑬	Cover Nut	Carbon Steel S45C	1.0503	AISI1045
⑭	Nameplate	Stainless Steel SUS304	1.4301	AISI304
⑮	Screen Holder Retainer	Stainless Steel SUS304	1.4301	AISI304
⑯	Socket**/Flange (DN 40, 50)	Carbon Steel A105	1.0460	—
	Flange (DN 80)	Cast Steel A216 Gr.WCB	1.0619	—
⑰ ^{RX}	Air Vent Unit***	—	—	—
⑱ ^{MRX}	Air Vent Unit Gasket	Soft Iron SUYP	1.1121	AISI1010
⑲	Air Vent Guide	Stainless Steel SUS303	1.4305	AISI303
⑳ ^{MR}	Drain Plug Gasket	Soft Iron SUYP	1.1121	AISI1010
㉑	Drain Plug	Carbon Steel S25C	1.0460	AISI1025

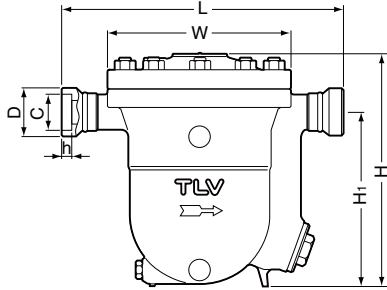


* Equivalent materials ** Shown on reverse *** Replacement kit for air vent unit: Bimetal (R), X-element (X)
Replacement kits available: (M) maintenance parts, (R) repair parts, (F) float, (X) X-element unit

Copyright © TLV

Dimensions

● **JH7.5R-X/JH7.5R-B** Socket Welded

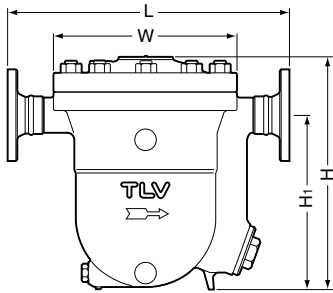


JH7.5R-X/JH7.5R-B Socket Welded* (mm)

DN	L	H	H ₁	φW	φD	φC	h	Weight (kg)
40	466	389	291	305	64	48.8	13	51
50					77.5	61.2	16	56
80	506				112	89.8		65

* ASME B16.11-2005, other standards available

● **JH7.5R-X/JH7.5R-B** Flanged



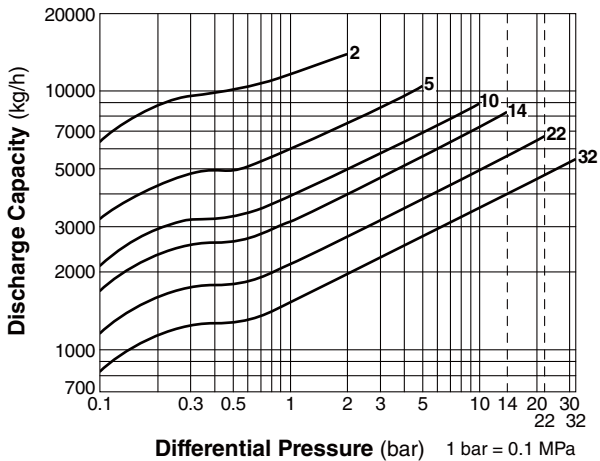
JH7.5R-X/JH7.5R-B Flanged (mm)

DN	L				H	H ₁	φW	Weight* (kg)
	DIN 2501	ASME Class						
	PN25/40	150RF	300RF	600RF				
40	472	471	478	494	389	291	305	60
50	476	475	481	500				62
80	504	504	514	533				68

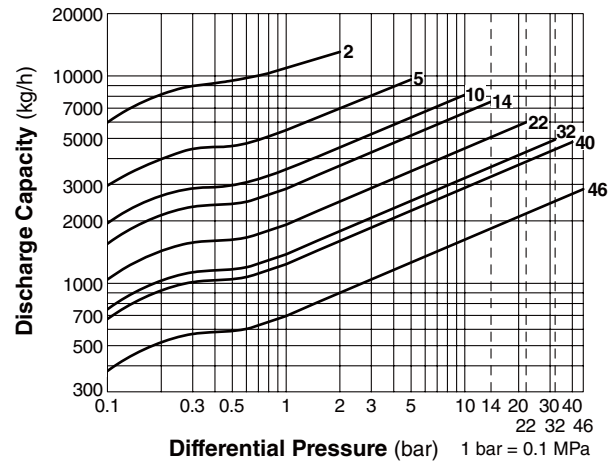
Other standards available, but length and weight may vary
* Weight is for DIN PN 25/40

Discharge Capacity

● **JH7.5R-X**



● **JH7.5R-B**



1. Line numbers within the graph are orifice numbers.
2. Differential pressure is the difference between the inlet and outlet pressure of the trap.
3. Capacities are based on continuous discharge of condensate 6 °C below saturated steam temperature.
4. Recommended safety factor: at least 1.5.



Do not use traps under conditions that exceed maximum differential pressure, as condensate backup will occur!

Manufacturer

ISO 9001/ISO 14001

TLV CO., LTD.
Kakogawa, Japan

is approved by LRQA Ltd. to ISO 9001/14001

