



# PowerDyne<sup>®</sup> STEAM TRAP

MODEL P65SRN CARBON STEEL  
STAINLESS STEEL

## THERMODYNAMIC DISC TRAP WITH THERMOSTATIC AIR VENTING

### Features

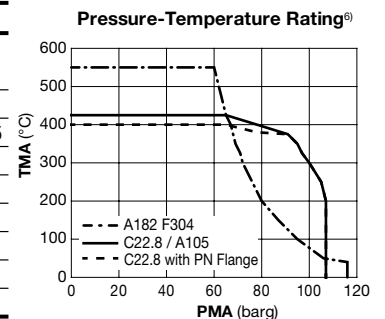
**Inline repairable trap for high-pressure steam mains. Available in carbon steel or stainless steel.**

1. Inline replaceable valve module.
2. Air jacketing reduces no-load cycling.
3. Lapped disc provides steam-tight seal without air binding.
4. Built-in screen for trouble-free service.
5. Bimetal provides quick thermostatic air venting.
6. Hardened stainless steel working surfaces.



### Specifications

Model	P65SRN					
Body Material	Carbon Steel C22.8 / A105 <sup>1)</sup>			Stainless Steel <sup>2)</sup> A182 F304 (equivalent to 1.4301)		
Connection <sup>3)</sup>	S	SW	F	S	SW	
Size (mm)	1/2", 3/4", 1"		DN15, 20, 25	1/2", 3/4", 1"		DN15, 20, 25
Maximum Operating Pressure (barg) PMO	65					
Minimum Operating Pressure (barg)	0.3					
Maximum Operating Temperature (°C) TMO	400 <sup>4)</sup> / 425					
Maximum Back Pressure	80% of Inlet Pressure					
Maximum Allowable Pressure (barg) PMA <sup>5)</sup>	107 @ 40 °C			116 @ 40 °C		
Maximum Allowable Temperature (°C) PMA <sup>5)</sup>	400 <sup>4)</sup> / 425 @ 65 barg			550 @ 60 barg		



<sup>1)</sup> With ASME Flange <sup>2)</sup> Contact TLV for optional flanged stainless steel model. 1 bar = 0.1 MPa

<sup>3)</sup> S = Screwed, SW = Socket Welded, F = Flanged <sup>4)</sup> With PN Flange

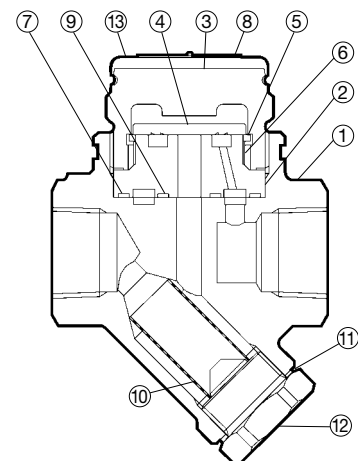
<sup>5)</sup> PRESSURE SHELL DESIGN CONDITIONS (NOT OPERATING CONDITIONS)

<sup>6)</sup> This Rating Graph is based on Allowable Stress Values of ASTM-Materials at each temperature.



To avoid abnormal operation, accidents or serious injury, DO NOT use this product outside of the specification range. Local regulations may restrict the use of this product to below the conditions quoted.

No.	Description	Material	DIN <sup>1)</sup>	ASTM/AISI <sup>1)</sup>
①	Body	See Specifications table for available materials		
② <sup>R</sup>	Module Valve Seat	Stainless Steel SUS440C	1.4125	AISI440C
③ <sup>R</sup>	Cover	Stainless Steel SUS420F2	—	AISI420F2
④ <sup>R</sup>	Disc	Stainless Steel SUS440C	1.4125	AISI440C
⑤ <sup>R</sup>	Disc Holder Ring	Stainless Steel SUS630	1.4542	AISI630
⑥ <sup>R</sup>	Air Vent Ring	Bimetal	—	—
⑦ <sup>MR</sup>	Outer Module Gasket	Graphite/Stainl. Stl. SUS316L	- /1.4404	- /AISI316L
⑧ <sup>R</sup>	Nameplate	Stainless Steel SUS304	1.4301	AISI304
⑨ <sup>MR</sup>	Inner Module Gasket	Graphite/Stainl. Stl. SUS316L	- /1.4404	- /AISI316L
⑩ <sup>R</sup>	Screen inside/outside	Stainless Steel SUS304/430	1.4301/1.4016	AISI304/430
⑪ <sup>MR</sup>	Screen Holder Gasket	Soft Iron SUYP	1.1121	AISH1010
		Stainless Steel SUS316L <sup>2)</sup>	1.4404	AISI316L
⑫	Screen Holder	Cast Stainl. Steel A351 Gr.CF8	1.4312	—
⑬ <sup>R</sup>	Cap	Stainless Steel SUS304	1.4301	AISI304
⑭	Socket <sup>3)</sup> (DN25 Socket Welded)	Carbon Steel C22.8	1.0460	A105
		Stainless Steel SUS304 <sup>2)</sup>	1.4301	AISI304
⑮	Flange <sup>4)</sup>	Carbon Steel C22.8	1.0460	A105
		Carbon Steel A105	1.0460	—



Copyright © TLV

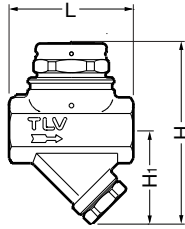
<sup>1)</sup> Equivalent materials <sup>2)</sup> For models with stainless steel body <sup>3)</sup> Shown on reverse

<sup>4)</sup> Shown on reverse, shape and material depend on flange specifications

Replacement kits available: (M) maintenance parts, (R) repair parts

**Dimensions**

● **P65SRN** Screwed

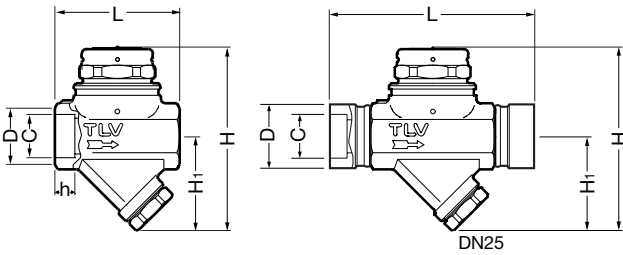


**P65SRN** Screwed\* (mm)

Size	L	H	H <sub>1</sub>	Weight (kg)
1/2"	80	120	62	1.2
3/4"				
1"	88	125		1.4

\* BSP DIN 2999, other standards available

● **P65SRN** Socket Welded

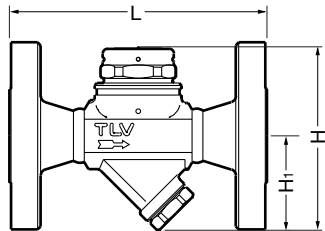


**P65SRN** Socket Welded (mm)

DN	L	H	H <sub>1</sub>	φD	φC	h	Weight (kg)
15	80	120	62	30	21.8	13	1.2
20	88	125		44	27.2		1.4
25	150			50	33.9	14	1.7

\* ASME B16.11-2005, other standards available

● **P65SRN** Flanged



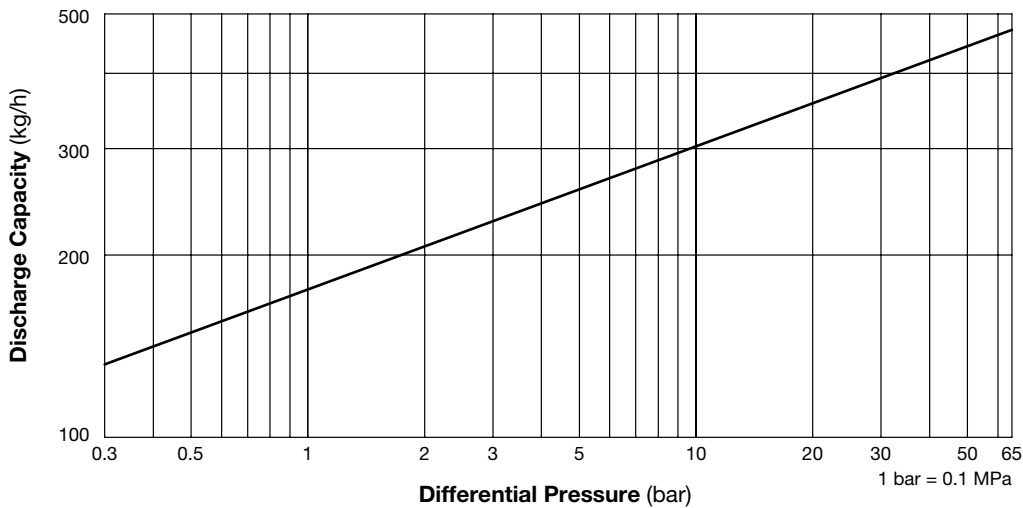
**P65SRN** Flanged (mm)

DN	L						H	H <sub>1</sub>	Weight* (kg)
	DIN 2501		ASME Class						
	PN25/40	PN63	150RF	300RF	600RF	900RF			
15	150	150	140	140	140	170	120	62	3.6
20			165	165	165	195			5.6
25			160	160	210	210			210

Other standards available, but length and weight may vary

\* Weight is for PN 63

**Discharge Capacity**



1. Differential pressure is the difference between the inlet and outlet pressure of the trap.
2. Recommended safety factor: at least 2.

Manufacturer

**TLV**® CO., LTD.  
Kakogawa, Japan  
is approved by LRQA Ltd. to ISO 9001/14001

ISO 9001/ISO 14001

