



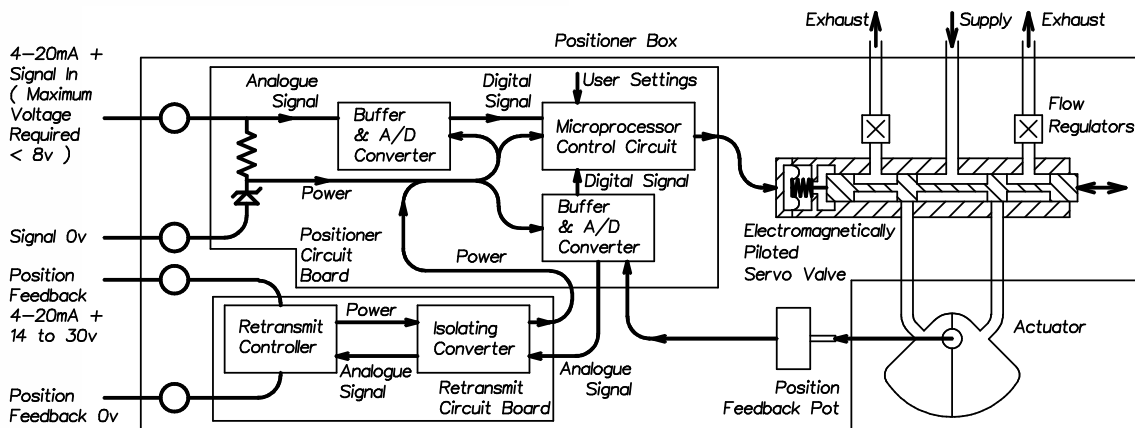
## Operation

The EL positioner uses a unique low power proportional servo valve to control the position of a quarter-turn actuator.

The microprocessor in the loop-powered 4-20mA position circuit reads the signal via one channel of a 12-bit A-D converter, reads the position voltage from the feedback potentiometer via the second channel of the A-D converter, and compares the two. If it detects a position which is different from that required by the signal, it changes the output to the servo valve, in order to drive the actuator in the direction required to reach the correct position. As the actuator moves, the feedback potentiometer voltage changes and the microprocessor continually calculates the adjustments required for the servo valve in order to guide the actuator accurately into position. The microprocessor is programmed with a sophisticated but compact algorithm which allows this critical dynamic valve adjustment to be made correctly. This in turn gives optimal results with any actuator/load combination - slow or fast, low or high friction, low or high inertia. All can be optimised by tuning the PGAIN and DAMP push buttons via the positioner circuit push buttons.

The EL positioner controls airflow to an actuator and moves it to a position determined by a 4-20mA signal. It's features are:

- **Fast, smooth and precise control from a digital circuit and proportional servo valve**
- **Simple time saving field set up**  
Quick calibration via push buttons and LED feedback and easy reversal of rotation sense (clockwise/counter clockwise) without special tools or parts change.
- **Universal application**  
The unit can be mounted in any orientation on to any quarter turn or linear application by connection via a NAMUR or Kinetrol square interface.
- **Loop powered**  
No separate power needed, just a 4-20mA signal plus air supply.
- **Integral options - easily retrofitted modules include:**
  - two wire 4-20mA isolated angle retransmit
  - mechanical or inductive position indicator switches (general or hazardous areas)
  - Clear Cone high visibility indicator
  - Threaded conduit entries or DIN plugs for external connection.
- **Intrinsically safe approved options**
- **Weatherproof, compact and robust metal housing**
- **Zero backlash coupling with easily adjustable switch strikers**
- **Vibration and shock resistant to 4G**
- **Built in gauge ports/external connections**



Simplified Functional Diagram of EL Positioner



## Application

The EL positioner can be directly mounted on standard Kinetrol actuator models 05 to 15, both double acting and spring return, giving an assembly with no external plumbing, wiring or mechanical connections and the best backlash free control. Mount kits are available for models 16, 18, 20 and 30 actuators.

Alternatively, discrete versions mount on any actuator via VDI/VDE 3845 NAMUR drive, or Kinetrol male square, with mounting bracket. Special adaptations for linear cylinders are also available - consult Kinetrol for details.

The EL Positioner ATEX approval includes the fitting of a special version of the popular Clear Cone high visibility monitor.

## Specification

**Air Supply** instrument quality (dry, clean, oil free Class 6.4.4 ISO8573.2001), 3.5 to 7 bar (50 psi to 100 psi). Consult Kinetrol for 5µm inlet air filter option

**Signal** 4-20mA, requiring max 8V to drive through positioner circuit (compatible with standard 24V dc source)

**Control Response** 0-90° positioning with one linear and 10 non-linear preselected characteristics as standard. Consult Kinetrol for the following versions:  
 i) linearisation of butterfly valve characteristics  
 ii) Pre-selected travel time extension option (with active feedback control of travel speed)  
 iii) customised responses

**Sensitivity** better than 0.1mA\*

**Hysteresis** better than 0.7% of span\*

**Repeatability** better than 0.7% of span\*

**Deviation from Linearity** less than 0.7% of span\*

**Flowrate** 3.3 scfm/93 l/m @ 5.5 bar

**Operating Temperature** -20° to +70°C

**Adjustments** low & high points (define range), proportional gain, velocity proportional setpoint advance (damping)

**Weight** 2.95 kg/6.5 lb

**Dimensions** see page 55

**Materials** case and cover - zinc alloy  
 spool and liner - stainless steel

**Finish** epoxy stove enamel

**Enclosure Rating** IP65/NEMA 4X

\* These refer to the combination of Kinetrol actuator with EL positioner - not just the positioner performance

## Travel Times

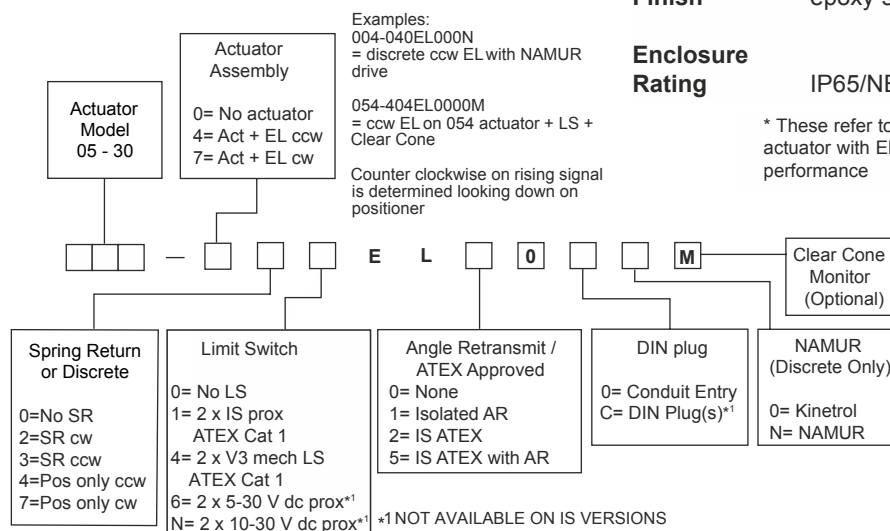
Direct mount from EL positioner to actuator (zero load)

Model	05	07	08	09	10	12	14	15
Deg/Sec	129	65	38	33	22	15	7.5	4.3

Externally piped from EL positioner to actuator (zero load)

Model	07	08	09	10	12	14	15	16	18	20
Deg/Sec	76	46	38	28	18	8.6	4.3	4.1	2	1

## Ordering Codes



For more information see KF-372

