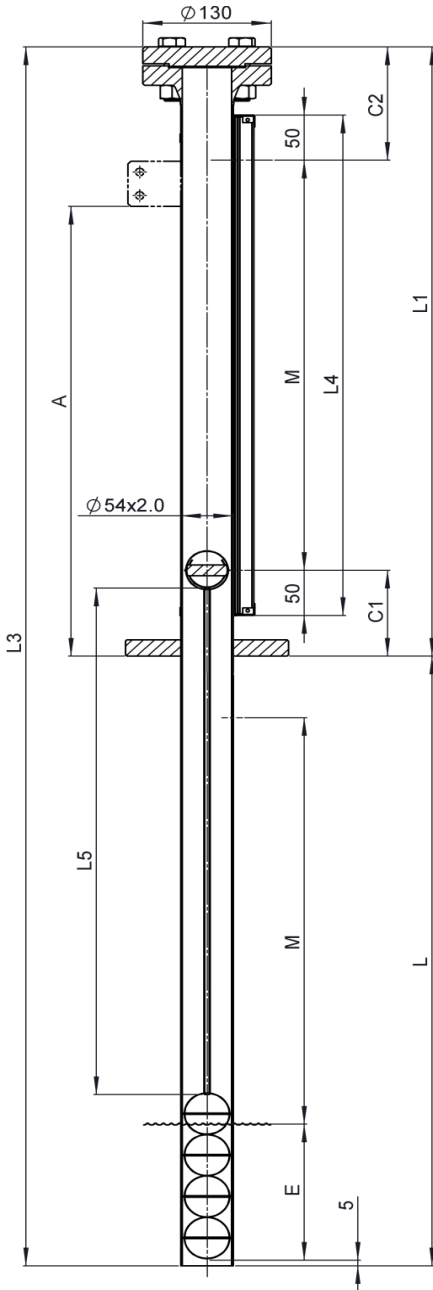


**Top of Tank Line, SS**

**Type: 25270/50**

Design meets the requirements of PED 97/23/EC and harmonized standards



**Purchase Order Data**

Company:  Project:   
 Purchase order No.:   
 Quantity:  Tag No.:

**Operating Conditions**

Fluid:   
 Density:   $\geq 0.75\text{g/cm}^3$    $\text{g/cm}^3$   
 Viscosity:   $\leq 600\text{cSt}$    $\text{cSt}$   
 Operation pressure:  max. 50bar(g)@20°C \*1)  bar(g)  
 Design pressure:  "  bar(g)  
 Operation temperature:  -40°C ... +400°C \*1)  °C  
 Design temperature:  "  °C  
 Gaskets for top service connection: NBR / PTFE / Graphite

**Process Connections**

**Process flange EN1092-1:2013**  
 - EN1092-1/01 A/DN50/PN63/316L  
 - Type A : with flat face

**Process flange ASME B16.5:2013**  
 - ANSI/ASME B16.5 / 2" class 300 RFSF  
 - RF SF: with raised face

Special flange execution

**Dimensions**

	Standard	Special	
Tank depth L	<input type="text"/>	<input type="text"/>	
Length L1 (M + 245 mm)	<input type="text"/>	<input type="text"/>	
C1	<input type="text"/>	<input type="text"/>	
C2	<input type="text"/>	<input type="text"/>	
Measuring length M (L - min. 200 mm)	<input type="text"/>	<input type="text"/>	
Length L4 (M + 100 mm)	<input type="text"/>	<input type="text"/>	
Connection pipe length L5	<input type="text"/>	<input type="text"/>	
Immersion depth E	<input type="text"/>	<input type="text"/>	<input type="text"/>

**Design and Materials**

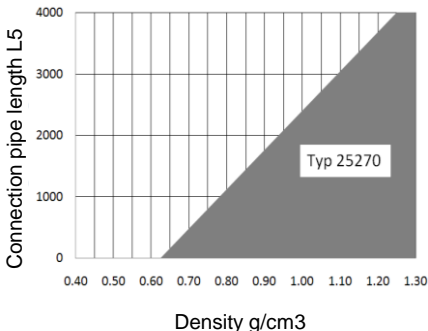
Float chamber: 316&316L  
 Float:   
 Magnet holder:

**Indication Rail**

Material / IP	Flaps	No.	Standard
PC, IP65 (<150°C)	Flaps: red-silver	No.: 34837	<input type="checkbox"/>
PC, IP68, inert gas (<150°C)	Flaps: red-silver	No.: 41008	<input type="checkbox"/>
Al/PC, IP54 (<250°C)	Flaps: red-silver	No.: 34560	<input type="checkbox"/>
Al/Glass, IP54 (<400°C)	Flaps: black-silver	No.: 37100	<input type="checkbox"/>
316L, IP67 (<250°C)	Flaps: red-silver	No.: 42403	<input type="checkbox"/>
316L, IP67 (<400°C)	Flaps: black-silver	No.: 42404	<input type="checkbox"/>
Special execution	Flaps: <input type="text"/>	No.: <input type="text"/>	<input type="checkbox"/>

**Float Extension bottom / top**

	C1:	C2:
Standard	95	150



**Accessories (refer to installation instructions 20010501)**

Fixation bracket No. 26936:  Dim. "A" [mm]:   
 Magnetic switch: Quantity:  Type:   
 Transmitter: Resolution [mm]:  Type:   
 Electrical measuring length Mel [mm]:   
 Converter: Type:   
 Additional accessories:

**Test Reports and Certificates**

EN10204:2004-3.1 Material certificate for float chamber

**Special Executions & Additional Notes**

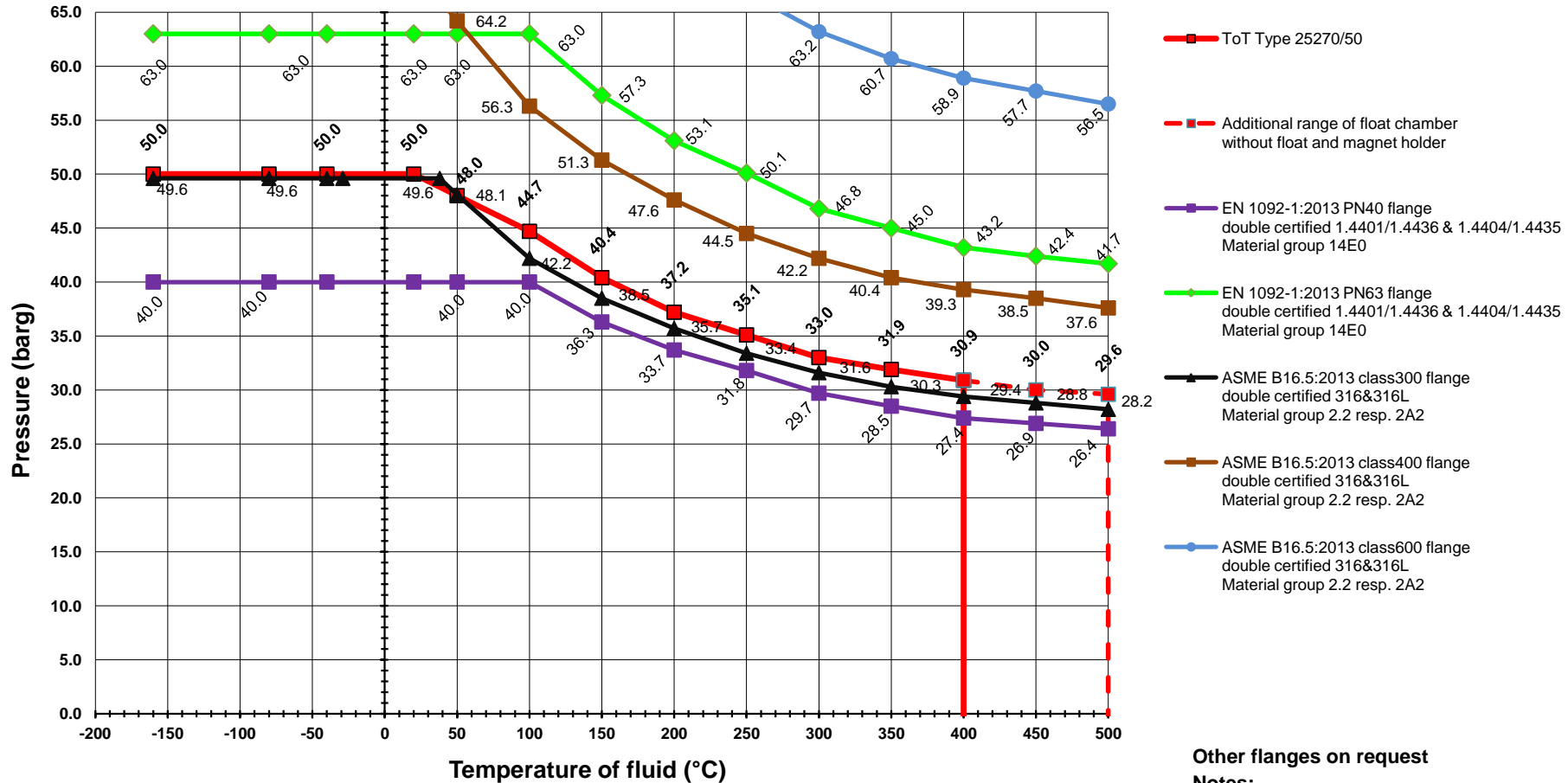
**Notes**

\*1) Refer to pressure-temperature rating! Lowest rating of any connecting flange or fitting and float chamber sets the limitation.  
 The test pressure PT is specified acc. to WEKA specifications AW 2.1.2.

All mentioned dimensions are in mm and are valid only for ToT standard executions.

## Pressure-temperature rating for Top of Tank Line SS 25270/50

Max. 50bar(g)@20°C, up to max. 500°C for ToT float chambers in SS EN 1.4401, 1.4436 & 1.4404, 1.4435 resp. ANSI 316&316L



### Other flanges on request

#### Notes:

- Tolerated max. pressure @ specified temperature for the ToT is given either by the float chamber or by the process flange
- Lower value sets the limitation! ---

